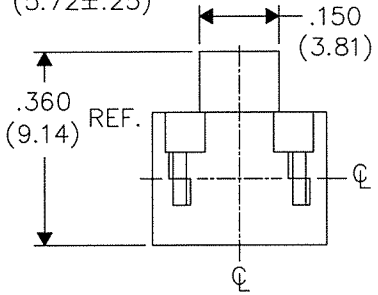
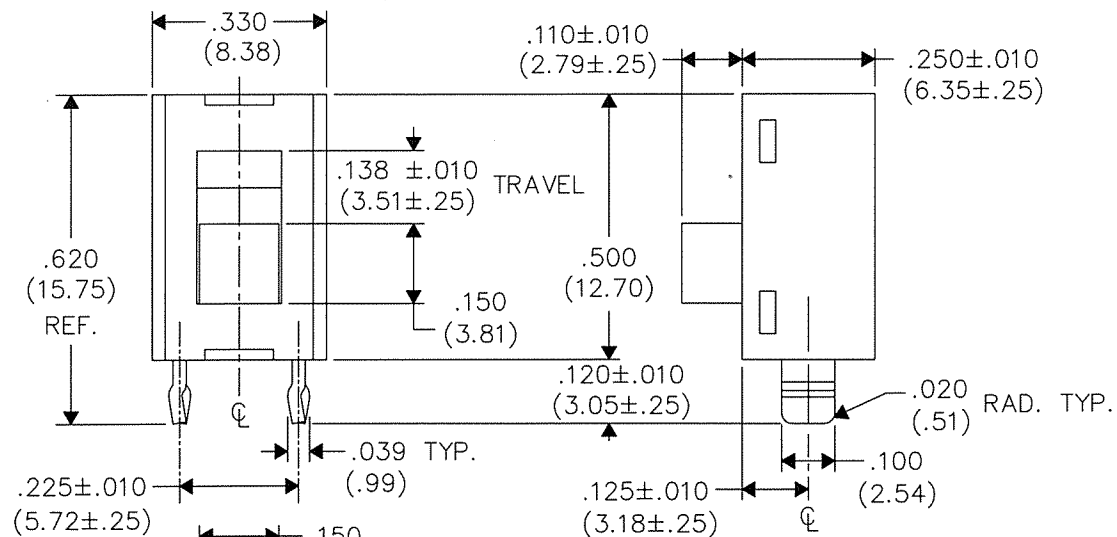
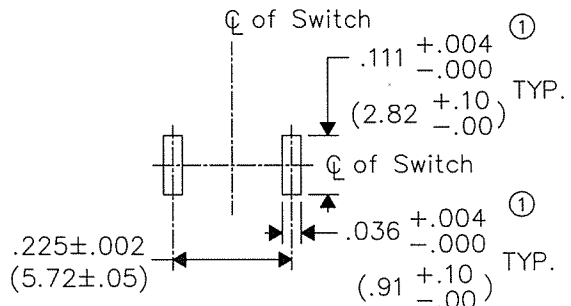


DIMENSIONS IN INCHES (MILLIMETERS)  
DO NOT SCALE DRAWING .....

Dwg. No.  
G-105-0513



P.C. LAYOUT



**ATTENTION**

THIS DRAWING AND ITS ATTACHMENTS, IF ANY, ARE PROPRIETARY TO CW INDUSTRIES AND DESCRIBE DESIGNS THAT ARE CONFIDENTIAL AND MUST NOT BE DISCLOSED UNLESS AUTHORIZED, IN WRITING, BY AN OFFICER OF CW INDUSTRIES.....

**CW INDUSTRIES**  
Southampton, Pa. 18966

TOLERANCES UNLESS OTHERWISE SPECIFIED	
2 Place Decimal ±.010	METRIC
3 Place Decimal ±.005	1 Place Dec. ±.25mm
Angles ..... ±1'	2 Place Dec. ±.13mm

Made for: CW IND.  
Drawn by: DGW 3-20-2002  
Checked by: GG 3-26-02  
Approval: BF 3-25-02

Title:  
SWIDGET JR.  
ASSEMBLY  
(S.P.-S.T.)

Division: SWITCH  
Dwg. No.  
G-105-0513

FORM-B4  
REVISIONS  
REVISIONS  
1  
REDRAWN, REMOVED NOTE 1.  
ADDED TYP. 2 PLACES.  
DGW 3-20-2002  
Mar. 26, 2002

PDF File Made